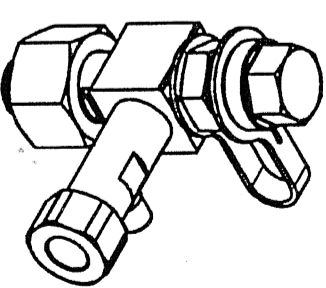
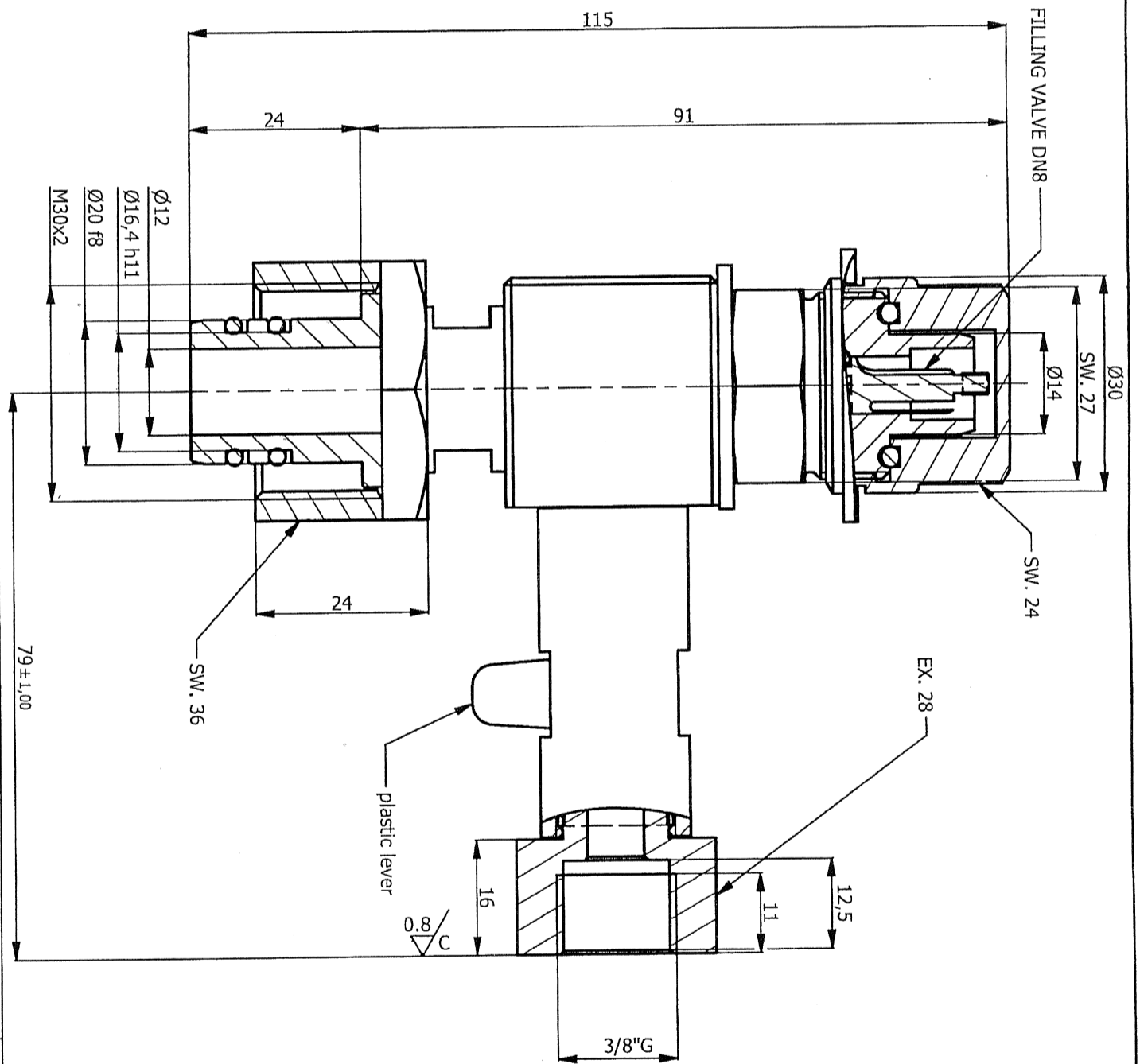
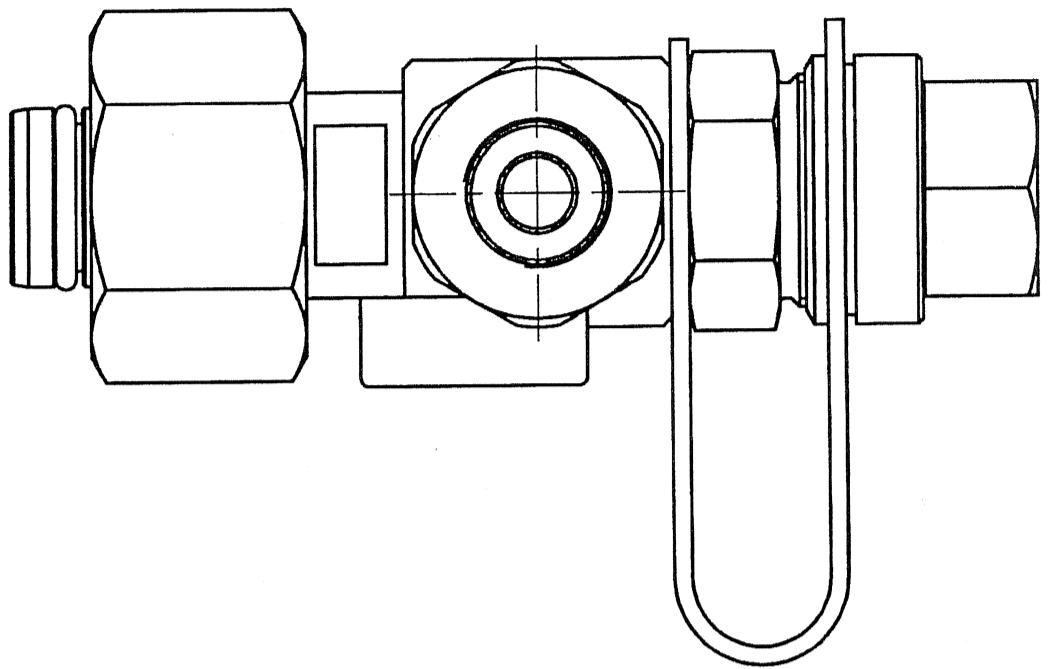


| | | | | | | | | | |
|--------------|------|--------------|------|--------------|------|--------------|------|--------------|------|
| Rev./Mod | Data | Rev./Mod | Data | Rev./Mod | Data | Rev./Mod | Data | Rev./Mod | Data |
| Descrizione: | | Descrizione: | | Descrizione: | | Descrizione: | | Descrizione: | |



| | | | |
|---------------------|-------------------|-------------------|--------|
| TECHNICAL FEATURE | FIG. 1 | FIG. 2 | FIG. 3 |
| BODY MATERIAL : | AL6082 ANODIZED | AISI 303 | |
| O-RING MATERIAL : | EPDM 70PC | EPDM 70PC | |
| TEMPERATURE RANGE : | -40°C +80°C | -40°C +80°C | |
| PASSAGE SECTION : | 32mm ² | 32mm ² | |
| LEAKAGE RATE : | <1x10-9mbarx/sec | <1x10-9mbarx/sec | |
| SPRING MATERIAL : | AISI 302 | AISI 302 | |

| | | | | | | | |
|--------------------------|------------|-----------------------|--------------|---------------------------|--|------------|--|
| SUITABLE CONNECTING PART | | Version: | | Title | | Lang. | |
| Prep. Dis. | M. Vescovi | Resp. Dep. Uff. Resp. | Uff. Tecnico | INTELLIGENT CONTROLS | | Inghua | |
| App. | M. Bosisio | Creation date: | 04/04/2014 | OM-MTV | | Scale | |
| Rev./Mod. | 0 | | | Malmquist - DN8 Tee Valve | | 1:1 | |
| NOTE : | | | | Doc. No. N° Doc. | | Sp. No. N° | |
| | | | | MALMQUIST - DN8 TEE VALVE | | I | |

