

MODEL 1250B

MORE THAN 30,000
INSTALLATIONS WORLDWIDE



POSITION INDICATOR FOR SYNCHRO TRANSMITTERS

The Model 1250B provides highly accurate, local and remote indication of load tap changer position and other difficult synchro-based position readings

CAPABILITIES

- Provides absolute local and remote position feedback
- Informs dispatchers of LTC or regular position in real-time
- Performs non-linear conversion
- Interfaces with PLCs and PC-based SCADA systems
- Addressable RS-485 multi-drop communication
- Full duplex RS-232 serial communication

FEATURES

- Programmable via the serial port
- Programmable Hi/Lo relay limits
- Proportional linear or stepped analog output
- ASCII or MODBUS protocols
- Highly visible 5 digit LED display
- Small size fits in 1/8 DIN panel cut-out
- Highly accurate over multiple turns

BENEFITS

- Proven reliability - thousands in operation for over 30 years
- Maintenance-free
- Can also be retrofitted to older LTCs with existing synchros
- Easy installation and programming
- Flexible communication options

APPLICATIONS

For many years this versatile instrument has been a utility and industrial standard for measurement of:

- Transformer load tap changer position
- Works with virtually all transformer LTCs
- Single-phase voltage regulator position
- Liquid level
- Machine position
- Thickness gauging
- Table height

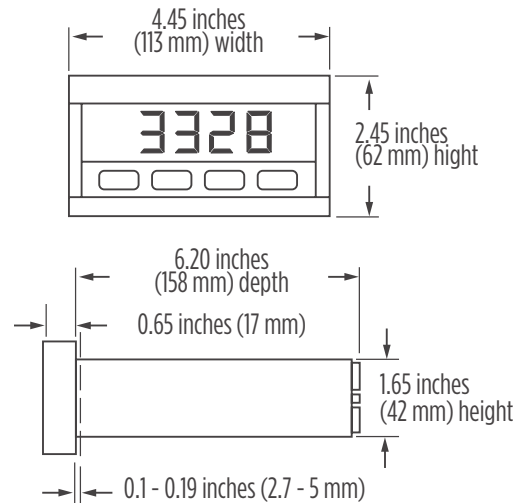
SPECIFICATIONS

GENERAL	
Input Signal	Synchro (5 wire) 90 V maximum
Resolution	±0.001% of full scale or 6 arc minutes
Accuracy	±0.02% of full scale maximum (0.01% typical)
Temperature Drift	±0.01% per °C
Operating Temp.	0° to 55 °C (standard)
Humidity	10% - 90% non condensing
Weight	24 oz.
Voltage	117+/-10%
Frequency	47-63 Hz
Load	8 Watts, maximum
DISPLAY	
Type	5-digit LED
Digit Height	0.56 in. (14.2 mm)
Viewing Distance	23 ft.
Decimal Point	Field programmable (scaled modes only)
OPTIONAL ANALOG OUTPUT	
Outputs	±1 mA, 0-1 mA, 0-2 mA, 4-20 mA (requires external loop power)
Compliance	10 Volts (0-1 mA, ± mA, 0-2 mA) 500 Ohms (4-20 mA)
Non-Linearity	± 0.1% of full scale
Resolution	12 bits (± 0.025% of full scale)
OPTIONAL HI/LO RELAYS	
Contact Rating	3A@125/250 VAC (resistive), 30 VDC

OPTIONAL ACCESSORIES

Model	Description
1292	Synchro Transmitter
1292K	Transmitter with bracket
1292KS	Transmitter with bracket and surge protection circuit
1293	Flexible coupling shaft
1945	15 VDC Loop Power Supply (for 4-20 mA Analog Output)
1280	Surge Protection Module

DIMENSIONAL DRAWING



Panel cut out min.: 1.653 (42mm) x 3.543 (90 mm) (+2/-0 mm)

Panel thickness: 0.1 (2.7 mm) to 0.19 (5.0 mm)

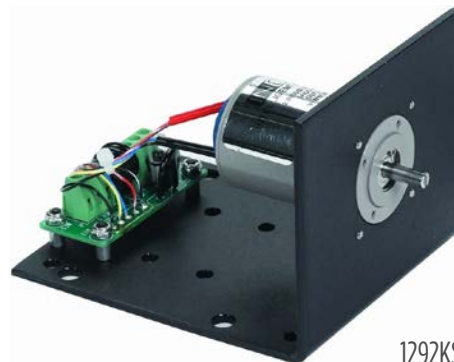
ORDERING INFORMATION

1250B-U-W-Y = options, see below

U = Output Options **0** (0-1 mA) **1** (± mA)
 2 (0-2 mA) **4** (4-20 mA)

W = Control **R** - Hi/Lo Relay Limits OR
 I - Input Isolation

Y = Comm. Options **S** - RS-232
 M - RS-485 MODBUS



1292KS